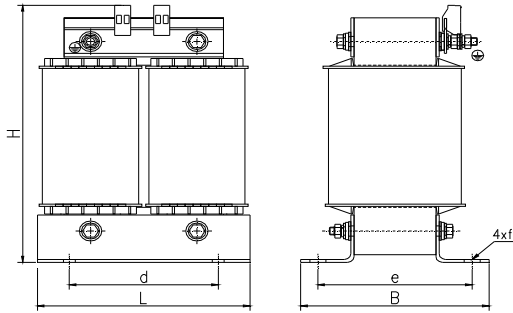


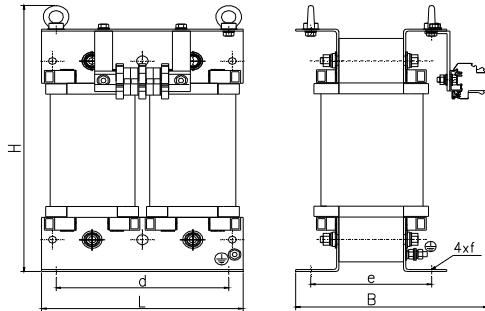


Single-phase safety isolating transformers with the power range between 2,0 and 10,0 kVA

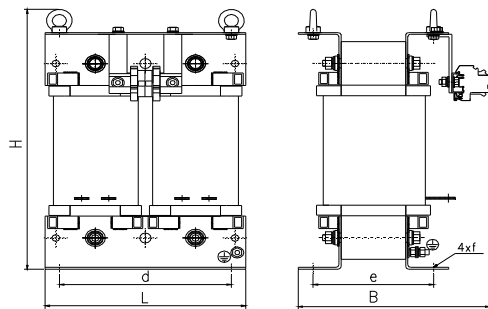
ET1o



Design A for the power up to 6,3 kVA



Design B for the power more than 6,3 kVA



Design B for secondary current above 300 A

Technical data:

| | |
|---|--|
| Design | Safety isolating transformers produced in accordance with requirements of EN/IEC 61558-2-6 |
| Insulation class | B(130°C) - standard up to 5 kVA, F(155°C) - standard above 5 kVA |
| Climatic class / environmental class | C1/E0 - land design C2/E1 - maritime and mining design |
| Ambient temperature | 40°C - land design 45°C - maritime and mining design |
| Protection degree | IP 00 |
| Protection class | I |
| Frequency | 50/60 Hz |
| Primary voltage | up to 1000 V |
| Secondary voltage | up to 50 V |
| Terminals | screw terminal blocks with the cross section from 1,5 mm ² up to 150 mm ² or copper bus bars |
| Fastening | by means of angles |

Safety isolating transformers are assigned for supplying electric devices with safe voltage.

In standard design, the transformers are adjusted to fastening by means of screwed angles.

If agreed, the transformers may have more tapplings. The windings terminals may be placed on one side only, or on both sides of a transformer.

Upon request, the transformers may be assembled in enclosures with the protection degree of IP 23, IP 44 and IP 54 with the possibility to insert supply cables through glands.

Standard enclosures have powder coating - colour RAL 7032.

Technical data of single-phase safety isolating transformers ET1o **

| Type | Power [kVA] | L [mm] | B [mm] | H [mm] | d [mm] | e [mm] | f [mm] | Weight [kg] | Design |
|---------------|-------------|--------|--------|--------|--------|--------|---------|-------------|--------|
| ET1o_* - 2,0 | 2,0 | 178 | 140 | 240 | 128 | 114 | 11 x 15 | 18 | A |
| ET1o_* - 2,5 | 2,5 | 178 | 152 | 240 | 128 | 126 | 11 x 15 | 21 | A |
| ET1o_* - 3,0 | 3,0 | 200 | 165 | 271 | 140 | 133 | 11 x 15 | 24 | A |
| ET1o_* - 3,5 | 3,5 | 200 | 177 | 271 | 140 | 145 | 11 x 15 | 27 | A |
| ET1o_* - 4,0 | 4,0 | 200 | 192 | 271 | 140 | 160 | 11 x 15 | 30 | A |
| ET1o_* - 5,0 | 5,0 | 240 | 165 | 323 | 200 | 127 | 11 x 15 | 36 | A |
| ET1o_* - 6,3 | 6,3 | 240 | 180 | 323 | 200 | 142 | 11 x 15 | 41 | A |
| ET1o_* - 7,5 | 7,5 | 280 | 260 | 425 | 240 | 151 | 11 x 15 | 46 | B |
| ET1o_* - 8,0 | 8,0 | 280 | 260 | 425 | 240 | 151 | 11 x 15 | 57 | B |
| ET1o_* - 10,0 | 10,0 | 280 | 275 | 425 | 240 | 168 | 11 x 15 | 64 | B |

*) - for transformer design with climatic/environmental class C2/E1 (maritime design W/3 or tropical design T/3) the letter "M" or "G" ought to be added depending on final application

**) - this table was prepared basing on the technical specification for transformer with voltage ratio 230//24 operating under normal conditions. For other conditions and data the values may change

Note:

Manufacturer reserves the right to make changes resulting from the continuous development of products offered. If requested in advance, it is possible to manufacture transformer in other version.

Manufacturer: **ELHAND TRANSFORMATORY Sp. z o.o.**

PL 42-700 Lubliniec, ul. Klonowa 60

tel.: (34) 34 73 100, fax: (34) 34 70 207

<http://www.elhand.pl> e-mail: info@elhand.pl



ET/2014/X/05