

**ED3K,
Compensation reactor**

0,5 kvar up to 100 kvar



Approvals



Technical data

Power of compensation	0,5-100 kvar
Rated voltage	400 V ±10%
Rated frequency	50 Hz
Cooling	AN – air natural
Ambient temperature	40°C
Insulation class	F (155°C)
Winding material	Aluminium, copper
Standard equipment	NC temperature switch
Mounting	standing, vertical
Degree of protection	IP00
Standards compatibility	PN-EN 60076-6

*- UL approved insulation system

Function

Increased capacitive power consumption is observed in the systems with LED light sources, UPS, impulse power supplies and broad cable grids. Uncompensated reactive power in the system leads to many negative effects:

- Extra fees for power factor overdrawn
- Additional power losses in transmission lines and transformers
- System instability due to voltage increase when grid has capacitive character

ED3K compensation reactors are used to keep inductive character of a grid. Inductive power of a reactor is added to capacitive power, ensuring that grid operates within a proper Q/P coefficient range.

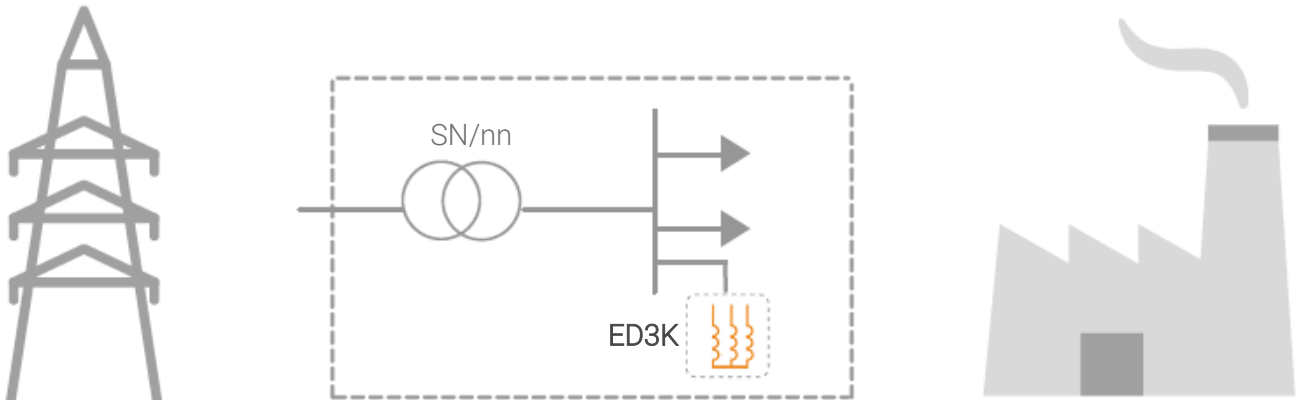
Benefits

- No fees for capacitive power
- Stable, inductive power factor
- Reduction of active losses
- Release of grid capacity thanks to reduction of effective value of current

Application

- Reactive power compensation systems
- Server rooms
- Compensation of broad cable grids
- Light & heavy industry

Typical application schematic



Dimensions

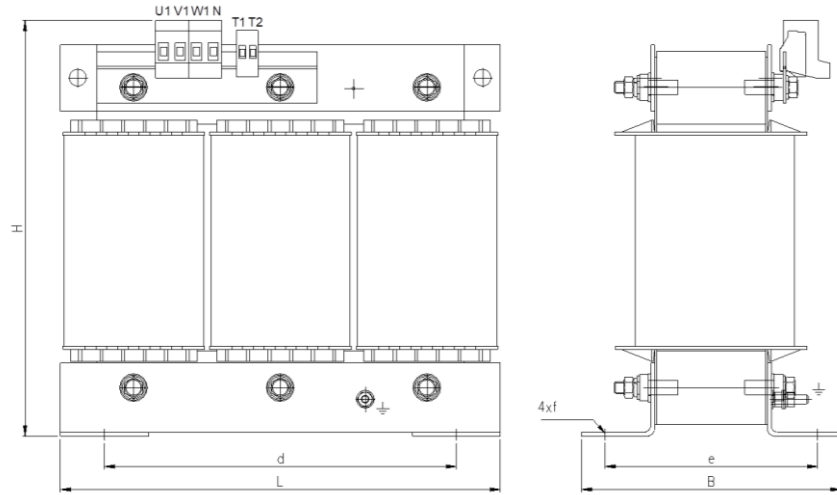
400 V, 50 Hz

No	Type	Compensation power	Inductance	Current	Winding material	L	B	H	d	e	f	Weight	Execution
		[kvar]	[mH]	[A]		[mm]	[mm]	[mm]	[mm]	[mm]	[mm]	[kg]	
1	ED3K-0,5/400	0,5	1008	0,73	Cu	155	77	160	130	57	8x12	4	A
2	ED3K-1,0/400	1	507,3	1,45	Cu	195	92	190	173	72	8x11	7,1	A
3	ED3K-1,5/400	1,5	340	2,17	Cu	210	105	205	173	85	8x11	11,2	A
4	ED3K-2,0/400	2	255	2,89	Cu	240	121	228	198	95	11x29	12,5	A
5	ED3K-2,5/400	2,5	204	3,61	Cu	240	121	228	198	95	11x29	12,5	A
6	ED3K-3,0/400	3	170	4,33	Cu	240	131	228	198	105	11x29	16	A
7	ED3K-4,0/400	4	127	5,77	Cu	240	155	228	198	129	11x29	22	A
8	ED3K-5,0/400	5	102	7,22	Cu	261	140	245	198	114	11x29	25	A
9	ED3K-6,0/400	6	84,9	8,7	Cu	261	152	245	198	126	11x29	29	A
10	ED3K-8,0/400	8	63,7	11,5	Cu	300	177	280	240	145	11x15	40	A
11	ED3K-10/400	10	50,9	14,4	Al	300	267	280	240	171	11x15	45	B
12	ED3K-15/400	15	33,9	21,7	Al	357	258	320	300	161	11x21	60	B
13	ED3K-20/400	20	25,5	28,9	Al	420	292	370	370	181	11x15	86	B
14	ED3K-25/400	25	20,4	36,1	Al	499	322	506	430	204	13x18/M12	125	C
15	ED3K-30/400	30	17	43,3	Al	499	342	506	430	224	13x18/M12	139	C
16	ED3K-40/400	40	12,7	57,7	Al	499	375	508	430	224	13x18/M12	148	C
17	ED3K-50/400	50	10,1	72,5	Al	559	381	567	490	248	13x18/M12	187	C
18	ED3K-60/400	60	8,5	86,5	Al	559	420	561	490	274	13x18/M12	221	C
19	ED3K-80/400	80	6,37	115	Al	559	460	561	490	304	13x18/M12	265	C
20	ED3K-100/400	100	5,1	144	Al	690	364	647	590	280	13x18/M12	333	D

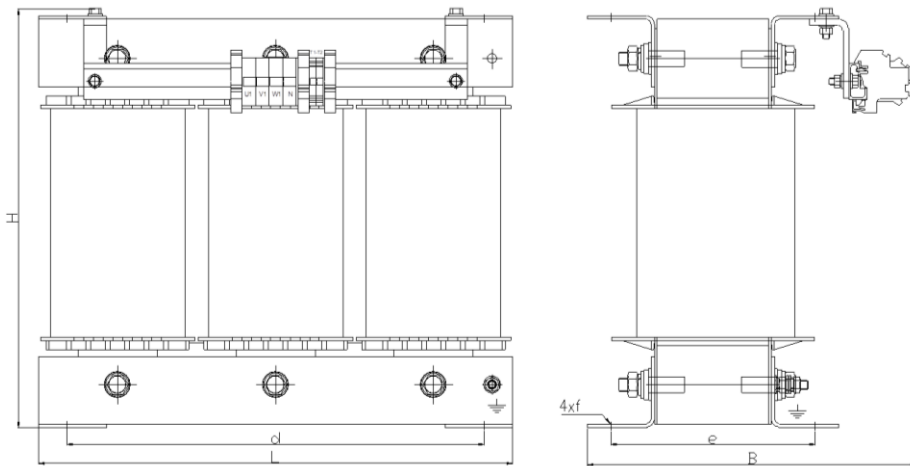
Manufacturer reserves the right to make changes resulting from the continuous development of products offered

Drawings

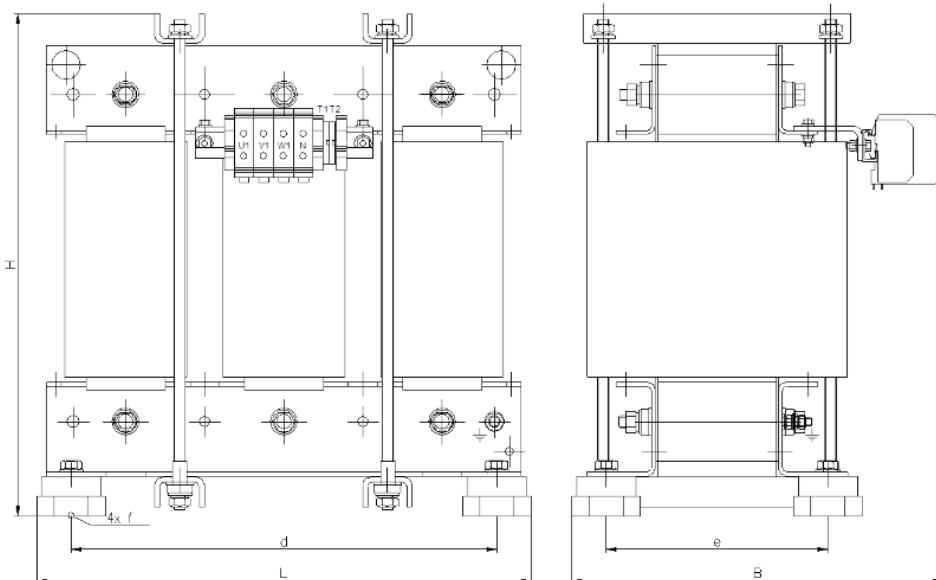
Execution A



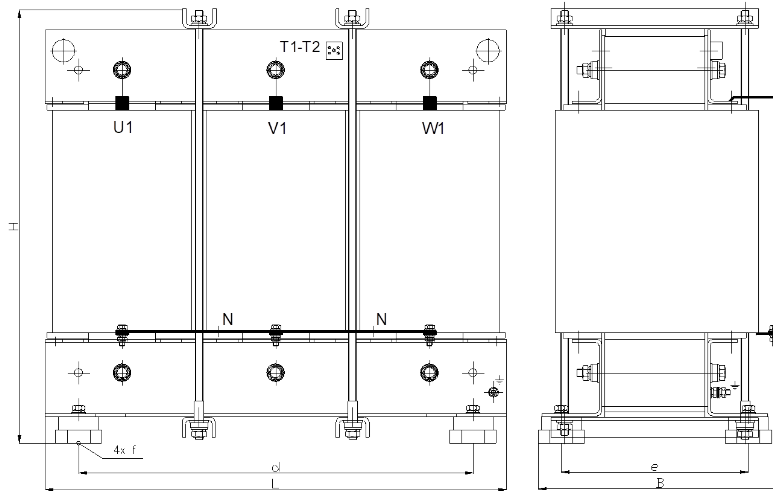
Execution B



Execution C



Execution D



Type code

E	D	3	K	50kvar /400V	10,1mH/72,5A	T40F	AL
Manufacturer symbol	Instrument type	Number of phases	Application type	Compensation power/ rated current	Inductance / rated current	Insulation class	Winding material Blank if IP00

Special execution

Products with parameters exceeding the catalogue card can be made upon prior contact.

Contact

Elhand Transformatory Sp. z o.o.



ul. Klonowa 60
42-700 Lubliniec
Śląskie, Polska



+48 (34) 34 73 100



info@elhand.pl



<https://www.linkedin.com/company/elhand-transformatory/>