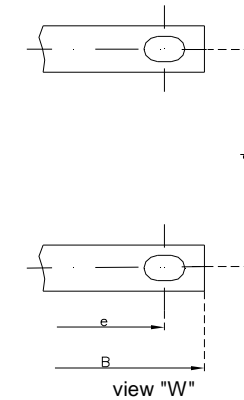
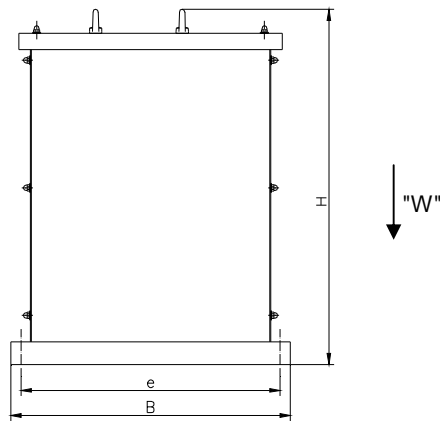
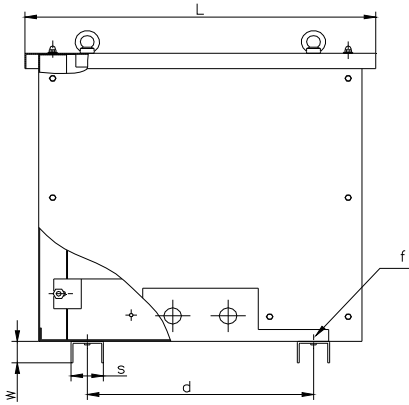


Enclosures BG 44
for single and three-phase power transformers IP44

BG 44



Technical data:	
Protection degree	IP 44
Colour	Standard - RAL 7032. Other colours on request
Cable outlets	In standard design cables are taken out via cable glands placed in front wall of the enclosure.

Enclosures BG44 are designed for mounting of single-phase transformers with a rated power from 5,5 up to 75 kVA and three-phase transformers with a rated power from 5,0 up to 375 kVA. Their construction enables an easy and totaly dismounting. Casings are fixed to the base by means of channel irons. They are made of steel sheet, which is protected against corrosion: steel sheet is degreased and phosphatized and has double epoxy -polyester powder coating. Fasteners have a protective coating. The bottom is made of steel sheet.

Enclosures for single-phase transformers ET1S i ET1o

Type	Power range min-max [kVA]	L [mm]	B [mm]	H [mm]	d [mm]	e [mm]	s [mm]	w [mm]	f [mm]	Weight [kg]
BG-44 - U210	5,5 - 9,0	560	500	580	240	450	50	30	4x (11x15)	30
BG-44 - U240	11 - 12	560	600	785	270	555	50	30	4x (11x15)	40
BG-44 - U260	15 - 30	660	700	985	310	655	50	30	4x (13x18)	70
BG-44 - U320	38 - 56	860	900	1185	360	855	70	50	4x (13x18)	110
BG-44 - U350	60 - 75	960	900	1285	380	855	100	50	4x (17x25)	130

You may negotiate the special designs as well as casings for other powers when placing an order

Enclosures for three-phase transformers ET3S i ET3o

Type	Power range min-max [kVA]	L [mm]	B [mm]	H [mm]	d [mm]	e [mm]	s [mm]	w [mm]	f [mm]	Weight [kg]
BG44 - E300	5,0 - 7,5	560	500	580	310	450	50	30	4x (11x15)	30
BG44 - E350	9,5 - 12	660	600	685	370	550	50	30	4x (11x15)	40
BG44 - E400	15 - 22,5	760	600	785	430	555	50	30	4x (13x18)	50
BG44 - E440	30 - 47	960	800	1005	490	755	70	50	4x (13x18)	90
BG44 - E550	56 - 86	1160	900	1205	590	855	70	50	4x (13x18)	125
BG44 - E580	90 - 120	1260	920	1415	620	870	100	50	4x (17x25)	145
BG44 - ES810	125-149	1360	920	1645	660/860	870	180	70	8x fi22	190
BG44 - ES860	150 - 188	1360	1020	1765	660/860	970	180	70	8x fi22	210
BG44 - ES980	200 - 300	1560	1120	1985	660/860	1070	180	70	8x fi22	260
BG44 - ES1030	375	1660	1220	2185	660/860	1170	180	70	8x fi22	300

Note:

The manufacturer reserves the right to make changes resulting from the continuous development of the product offered
Other designs of casings can be delivered after mutually settlement

Manufacturer: **ELHAND TRANSFORMATORY Sp. z o.o.**
PL 42-700 Lubliniec, ul. Klonowa 60
tel.: (34) 34 73 100, fax: (34) 34 70 207
<http://www.elhand.pl> e-mail: info@elhand.pl



EO/2014/X/07