

**ET1,
Single-phase transformers**

0,05 kVA to 2,5 kVA



Isolating transformer – illustrative photo

Certificates



Technical data

Rated power	0,05 kVA to 2,5 kVA
Rated voltage	< 1100 V
Rated frequency	50/60 Hz
Cooling	AN - natural
Ambient temperature	40°C – land design
	45°C – maritime design
	≥50°C – special design
Climate/environmental class	C1/E0 - land
	C2/E1 – maritime or mining
Insulation class	B
Winding material	Copper
Optional equipment	Temperature sensors, fuses, DIN rail mounting
Mounting	Standing or wall mounted
Protection degree	IP00
Applied standards	IEC 61558-2-1 (separating) IEC 61558-2-4 (isolating) IEC 61558-2-6 (safety isolating)

ET1S

Separating transformers

Design according to IEC61558-2-1. Standard transformers which windings' are separated by basic insulation.

Voltage range:

- Primary < 1000 V
 - Secondary < 1000 V
- Power up to 1 kVA

ET1o

Isolating transformers

Design according to IEC 61558-2-4. This type is characterized by special windings' isolation. Isolation can be made by adding a screen between the windings or split bobbin.

Voltage range:

- Primary < 1100 V
 - Secondary < 500 V
- Power up to 25 kVA

ET1o

Safety isolating transformers

Design according to IEC 61558-2-6. This is a isolation transformer where secondary voltage value is below 50 V. Safety isolating transformers are used to supply devices which require safe voltage level.

Voltage range:

- Primary < 1100 V
 - Secondary < 50 V
- Power up to 10 kVA

Dimensions

Reference values for isolating transformers 230V//230V 50Hz

No.	Type	Power	L	B	H	d	e	f	Weight
		[kVA]	[mm]	[mm]	[mm]	[mm]	[mm]	[mm]	[kg]
1	ET1o - 0,050	0,050	78	64	90	56	48	4,8 x 9	1,2
2	ET1o - 0,063	0,063	84	66	93	64	52	4,8 x 8	1,4
3	ET1o - 0,075	0,075	84	66	93	64	52	4,8 x 8	1,5
4	ET1o - 0,10	0,10	84	80	93	64	63	4,8 x 8	2,0
5	ET1o - 0,13	0,13	105	80	111	81	63	5,8 x 12	2,8
6	ET1o - 0,16	0,16	105	80	111	81	63	5,8 x 12	2,9
7	ET1o - 0,20	0,20	105	88	111	81	71	5,8 x 12	3,4
8	ET1o - 0,25	0,25	105	103	111	81	86	5,8 x 12	4,3
9	ET1o - 0,32	0,32	120	95	122	90	77	5,8 x 12	4,4
10	ET1o - 0,40	0,40	120	107	122	90	89	5,8 x 12	5,3
11	ET1o - 0,50	0,50	120	137	127	90	109	5,8 x 12	6,9
12	ET1o - 0,63	0,63	150	117	149	122	89	7 x 15	7,8
13	ET1o - 0,80	0,80	150	134	149	122	106	7 x 15	9,8
14	ET1o - 1,00	1,00	150	160	144	122	133	7 x 15	12,9
15	ET1o - 1,30	1,30	174	150	156	135	116	7 x 15	15,7
16	ET1o - 1,60	1,60	174	195	156	135	136	7 x 15	20
17	ET1o - 2,00	2,00	192	185	178	150	131	10 x 18	22
18	ET1o - 2,50	2,50	192	210	178	150	149	10 x 18	25,5

Manufacturer reserves the right to make changes resulting from the continuous development of products offered

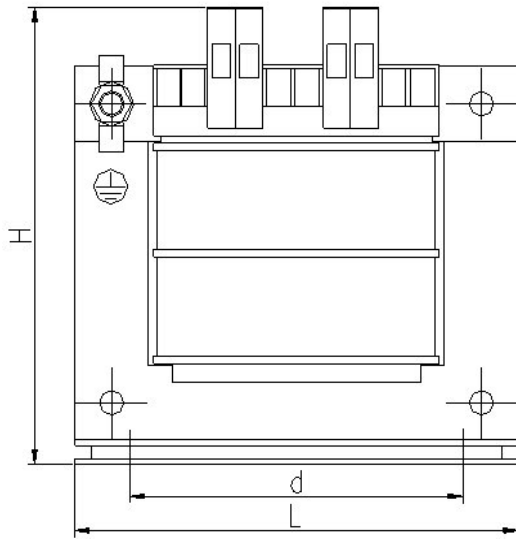
Non-standard design

Elhand Transformatory specializes in production of devices with unusual electrical and environmental parameters:

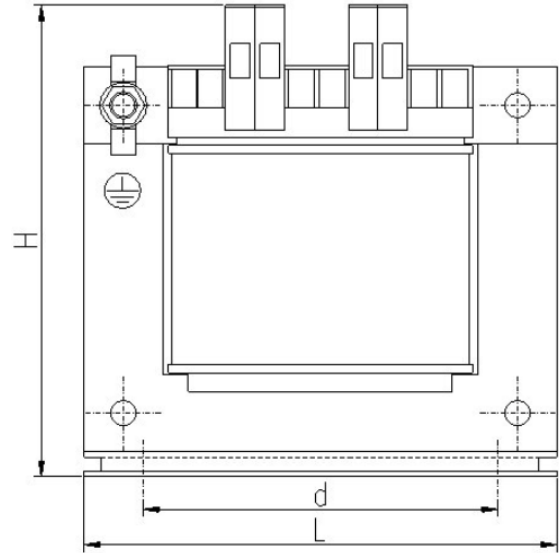
- maritime or mining transformers
- multi-tap and multi-winding transformers
- transformers with enhanced mechanical construction and increased pollution resistance for railway industry

Drawings

Front view

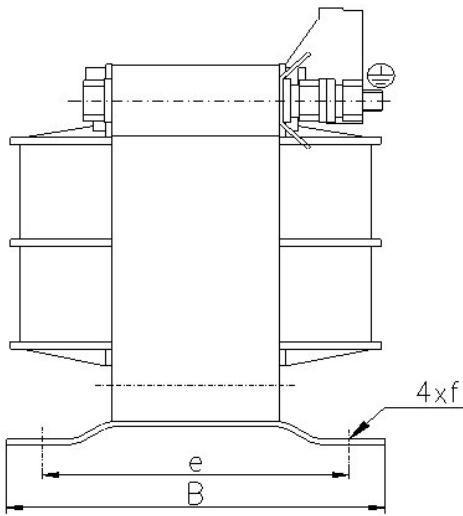


Isolating transformer

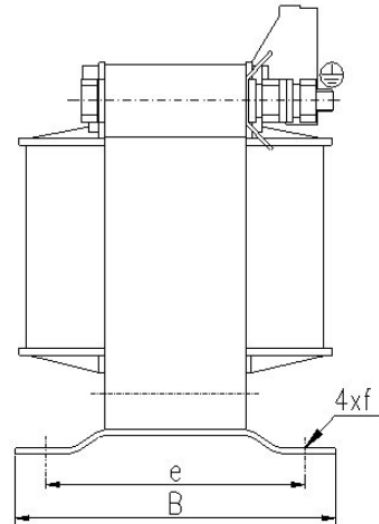


Separating transformer

Side view

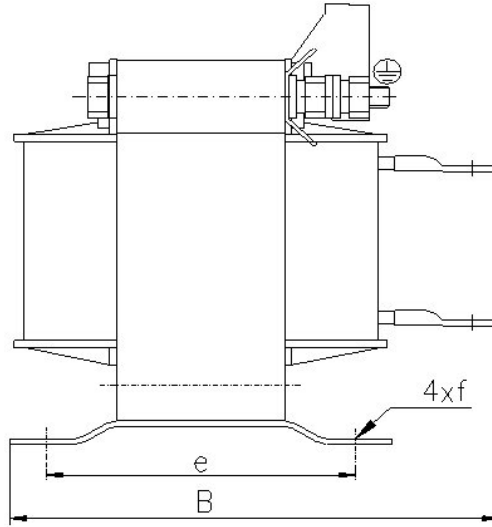


Isolating transformer



Separating transformer

Execution with cable lugs



Typecode

E	T	1	o	-	2,5	230//230	-	-	-
Manufacturer's symbol	Instrument type	Number of phases	Product type o - isolating s - separating	Execution type B - reduced induction in the core F - increased frequency H - Increased voltage M - marine G - mining Z - encapsulated	Rated power [kVA]	Voltage ratio [V]	Rated frequency Blank if 50 Hz	Max ambient temperature and Insulation class Blank if 40°C B	Type of enclosure Blank if IP00

Special execution

Products with parameters exceeding the catalogue card can be made upon prior contact

Contact

Elhand Transformatory Sp. z o.o.



ul. Klonowa 60
42-700 Lubliniec
Śląskie, Polska



+48 (34) 34 73 100



info@elhand.pl



<https://www.linkedin.com/company/elhand-transformatory/>