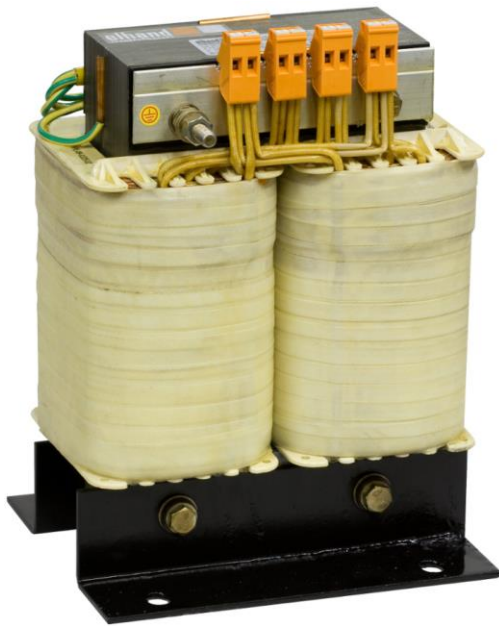


**ET1,  
Single-phase transformer**

2,5 kVA to 100 kVA



Certificates



Technical data

<b>Rated power</b>	40 kVA to 2500 kVA
<b>Rated voltage</b>	< 1100 V
<b>Rated frequency</b>	50/60 Hz
<b>Cooling</b>	AN – natural (standard) AF – air forced (optional) WF – water forced (optional)
<b>Ambient temperature</b>	40°C – land design 45°C – maritime design ≥50°C – special design
<b>Climate/environmental class</b>	C1/E0 – land C2/E1 – maritime or mining
<b>Flammability class</b>	F1 (optional)
<b>Insulation class</b>	B < 5 kVA (standard) F ≥ 5 kVA (standard) H (optional)
<b>Winding material</b>	Copper or aluminum
<b>Optional equipment</b>	Temperature sensors, wheels, vibro-isolators
<b>Mounting</b>	Standing (standard) Wall-mounted (optional) Horizontal (optional)
<b>Protection degree</b>	IP00, IP23, IP44, IP54, IP66 NEMA3/3R, NEMA 4/4X
<b>Applied standards</b>	IEC 61558-2-4 (isolating) IEC 61558-2-6 (safety isolating) IEC 60076-11

**Single-phase transformers**

Power transformers are assigned for supplying electric devices, and for application in various industrial branches. Transformers can be produced according to different standards:

- IEC 61558-2-4 – isolating single-phase transformers below 25 kVA
- IEC 61558-2-6 – safety isolating single-phase transformers below 10 kVA and secondary voltage below 50 V
- IEC 60076-11 – single-phase power transformers in all power range

Depending on power, voltage and customer requirements, terminals can be made as screw terminals or Cu/Al busbars.

Transformers are impregnated with epoxy resin by immersion or VPI method.

All transformers are equipped with lifting lugs, mounting brackets and grounding terminal.

Transformers can be mounted in the enclosure IP23, IP44, IP54 or different, according to customer's request

## Dimensions

Reference values for power transformers 230V//230V 50Hz

No.	Type	Power	Insulation class	L	B	H	Weight	Execution
		[kVA]		[mm]	[mm]	[mm]	[kg]	
1	ET1 - 2,5	2,5	B	178	152	240	21	A
2	ET1 - 3,0	3	B	200	165	280	23	A
3	ET1 - 3,5	3,5	B	200	177	280	27	A
4	ET1 - 4,0	4	B	200	192	280	30	A
5	ET1 - 5,0	5	F	240	165	333	35	A
6	ET1 - 6,3	6,3	F	240	180	333	40	A
7	ET1 - 7,5	7,5	F	280	200	475	46	A
8	ET1 - 8,0	8	F	280	200	475	48	A
9	ET1 - 10	10	F	280	210	480	56	A
10	ET1 - 12	12	F	280	220	480	63	A
11	ET1 - 15	15	F	320	300	425	74	B
12	ET1 - 16	16	F	320	300	425	76	B
13	ET1 - 20	20	F	360	330	480	98	B
14	ET1 - 25	25	F	360	340	480	120	B
15	ET1 - 30	30	F	360	350	480	130	B
16	ET1 - 40	40	F	360	400	480	160	B
17	ET1 - 50	50	F	460	420	550	190	B
18	ET1 - 63	63	F	460	450	550	218	B
19	ET1 - 75	75	F	460	480	550	254	B
20	ET1 - 80	80	F	480	430	640	268	B
21	ET1 - 100	100	F	480	460	640	334	B

Manufacturer reserves the right to make changes resulting from the continuous development of products offered

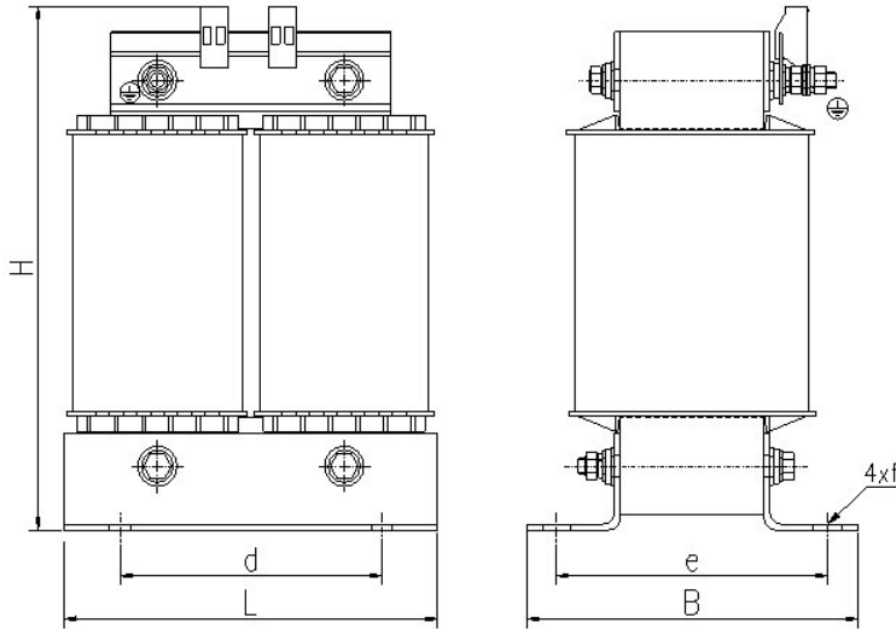
## Non-standard design

Elhand Transformatory specializes in production of devices with unusual electrical and environmental parameters:

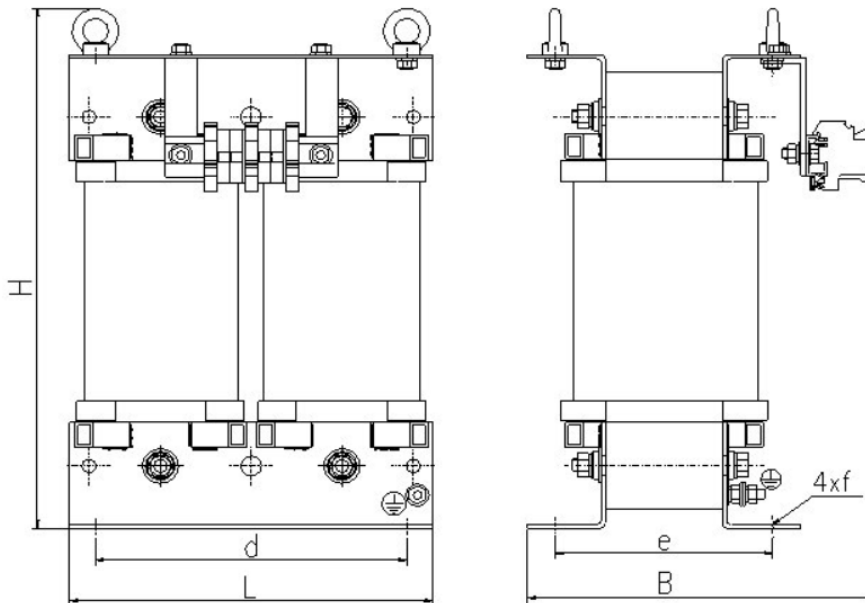
- maritime or mining transformers
- multi-tap and multi-winding transformers
- transformers with enhanced mechanical construction and increased pollution resistance for railway industry

Drawings

Execution A



Execution B



## Typecode

E	T	1	o	M	25	230//230	60Hz	T45F	AL	-
Manufacturer's symbol	Instrument type	Number of phases	Product type o – shielded windings s – not shielded windings	Execution type B – reduced induction in the core F – increased frequency H – increased voltage M – maritime G – mining Z – encapsulated	Rated power [kVA]	Voltage ratio [V]	Rated frequency Blank if 50 Hz	Max ambient temperature and Insulation class Blank if 40°C B	Material of windings Blank if Cu	Type of enclosure Blank if IP00

## Special execution

Products with parameters exceeding the catalogue card can be made upon prior contact

## Contact

### Elhand Transformatory Sp. z o.o.



ul. Klonowa 60  
42-700 Lubliniec  
Śląskie, Polska



+48 (34) 34 73 100



[info@elhand.pl](mailto:info@elhand.pl)



<https://www.linkedin.com/company/elhand-transformatory/>