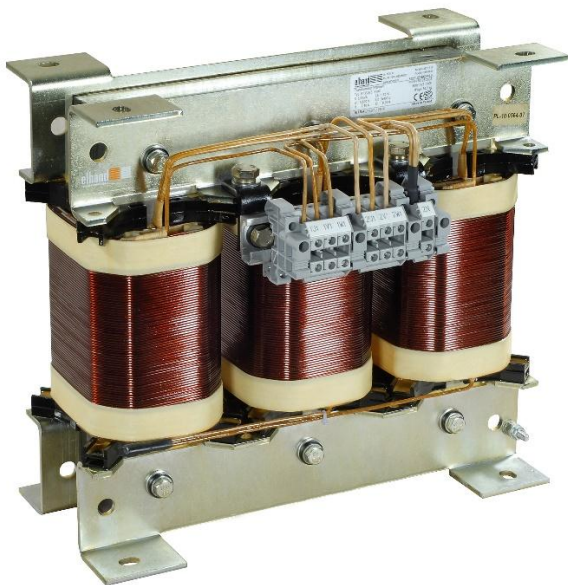


**ET3,  
Three-phase transformers**

0,05 kVA to 40 kVA



Certificates



Technical data

<b>Rated power</b>	0,05 kVA to 40 kVA
<b>Rated voltage</b>	< 1100 V
<b>Rated frequency</b>	50/60 Hz
<b>Cooling</b>	AN – natural (standard) AF – air forced (optional) WF – water forced (optional)
<b>Ambient temperature</b>	40°C – land design
	45°C – maritime design
	≥50°C – special design
<b>Climate/environmental class</b>	C1/E0 – land
	C2/E1 – maritime or mining
<b>Flammability class</b>	F1 (optional)
<b>Insulation class</b>	B < 5 kVA (standard) F ≥ 5 kVA (standard) H (optional)
<b>Winding material</b>	Copper (standard) Aluminum (optional)
<b>Optional equipment</b>	Temperature sensors, fuses, vibro-isolators
<b>Mounting</b>	Standing (standard) Wall-mounted (optional) Horizontal (optional)
<b>Protection degree</b>	IP00, IP23, IP44, IP54, IP66 NEMA3/3R, NEMA 4/4X
<b>Applied standards</b>	IEC 61558-2-1 (separating) IEC 61558-2-4 (isolating) IEC 61558-2-6 (safety isolating) IEC 60076-11

**Three-phase transformers**

Power transformers are assigned for supplying electric devices, and for application in various industrial branches. Transformers can be produced according to different standards:

- IEC 61558-2-1 – separating three-phase transformers below 5 kVA
- IEC 61558-2-4 – isolating three-phase transformers below 40 kVA
- IEC 61558-2-6 – safety isolating three-phase transformers below 16 kVA and secondary voltage below 50 V
- IEC 60076-11 – transformers in all power range

Transformers are impregnated with epoxy resin by immersion or VPI method.

All transformers are equipped with lifting lugs, mounting brackets and grounding terminal.

## Dimensions

**TABLE 1** - Reference values for transformers 400V//400V, 50Hz, 40°C up to 40 kVA

No.	Type	Power	Insulation class	Mat. of windings	L	B	H	Weight	Execution
		[kVA]			[mm]	[mm]	[mm]	[kg]	
1	ET3_- 0,05	0,05	B	Cu	100	60	122	1,4	A
2	ET3_- 0,15	0,15	B	Cu	125	71	140	2,6	A
3	ET3_- 0,3	0,3	B	Cu	155	91	156	5,1	A
4	ET3_- 0,5	0,5	B	Cu	195	102	185	7,5	A
5	ET3_- 0,63	0,63	B	Cu	195	112	185	9,5	A
6	ET3_- 0,8	0,8	B	Cu	195	112	185	10,5	A
7	ET3_- 1,0	1	B	Cu	210	105	200	12	A
8	ET3_- 1,5	1,5	B	Cu	240	131	226	16	A
9	ET3_- 2,0	2	B	Cu	240	146	226	22	A
10	ET3_- 2,5	2,5	B	Cu	261	140	239	26	A
11	ET3_- 3	3	B	Cu	300	152	274	30	A
12	ET3_- 4	4	B	Cu	300	165	274	38	A
13	ET3_- 5	5	F	Cu	300	192	274	49	A
14	ET3_- 6,3	6,3	F	Cu	360	230	365	47	B
15	ET3_- 7,5	7,5	F	Cu	360	237	365	54	B
16	ET3_- 8	8	F	Cu	360	247	365	60	B
17	ET3_- 10	10	F	Cu	360	270	365	71	B
18	ET3_- 12,5	12,5	F	Cu	420	255	425	82	B
19	ET3_- 15	15	F	Cu	420	265	425	91	B
20	ET3_- 16	16	F	Cu	420	265	425	92	B
21	ET3_- 20	20	F	Cu	480	290	485	117	B
22	ET3_- 20	20	F	Al	480	330	430	104	B
23	ET3_- 22	22,5	F	Cu	480	300	485	129	B
24	ET3_- 25	25	F	Cu	480	305	485	139	B
25	ET3_- 25	25	F	Al	480	350	430	120	B
26	ET3_- 30	30	F	Cu	480	315	485	154	B
27	ET3_- 30	30	F	Al	480	355	430	140	B
28	ET3_- 40	40	F	Cu	540	350	485	195	B
29	ET3_- 40	40	F	Al	540	360	485	155	B

Manufacturer reserves the right to make changes resulting from the continuous development of products offered

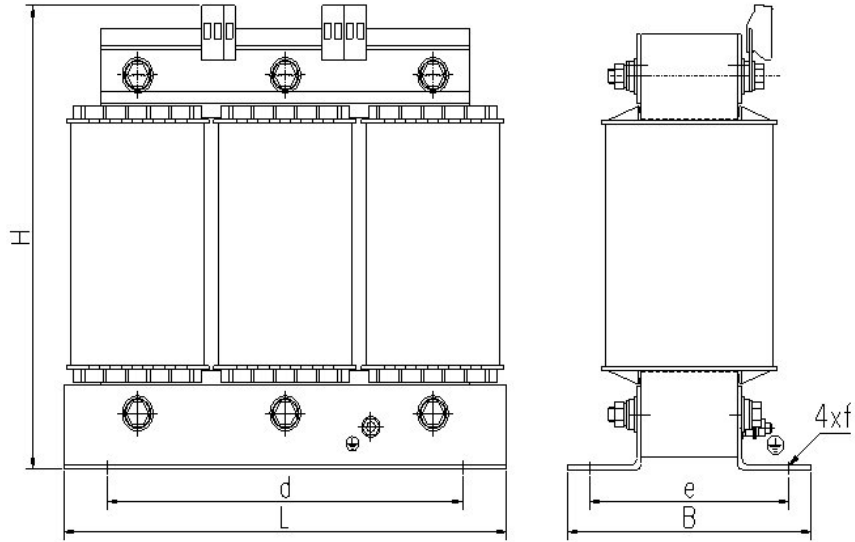
## Non-standard design

Elhand Transformatory specializes in production of devices with unusual electrical and environmental parameters:

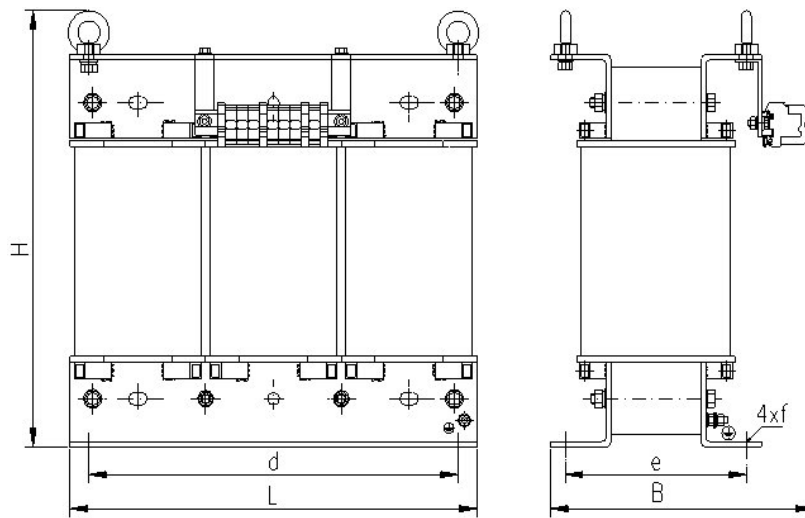
- maritime or mining transformers
- multi-tap and multi-winding transformers
- transformers with enhanced mechanical construction and increased pollution resistance for railway industry

Drawings

**Execution A**



**Execution B**



## Typecode

<b>E</b>	<b>T</b>	<b>3</b>	<b>o</b>	<b>M</b>	<b>100</b>	<b>400//400</b>	<b>-</b>	<b>T45F</b>	<b>-</b>	<b>-</b>
Manufacturer's symbol	Instrument type	Number of phases	Product type o – shielded windings s – non shielded windings	Execution type B – reduced induction in the core C – water cooled F – increased frequency H – Increased voltage G – mining H – increased voltage level M – maritime Ż – encapsulated	Rated power [kVA]	Voltage ratio [V]	Rated frequency Blank if 50 Hz	Max ambient temperature and insulation class Blank if standard	Material of windings Blank if Cu	Type of enclosure Blank if IP00

## Special execution

Products with parameters exceeding the catalogue card can be made upon prior contact

## Contact

**Elhand Transformatory Sp. z o.o.**



ul. Klonowa 60  
42-700 Lubliniec  
Śląskie, Polska



+48 (34) 34 73 100



[info@elhand.pl](mailto:info@elhand.pl)



<https://www.linkedin.com/company/elhand-transformatory/>